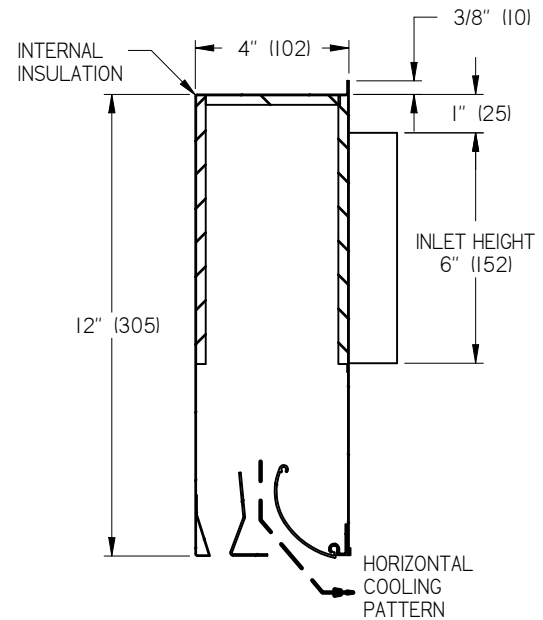
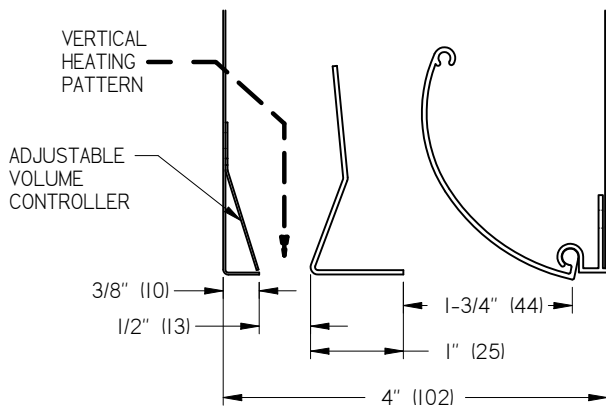
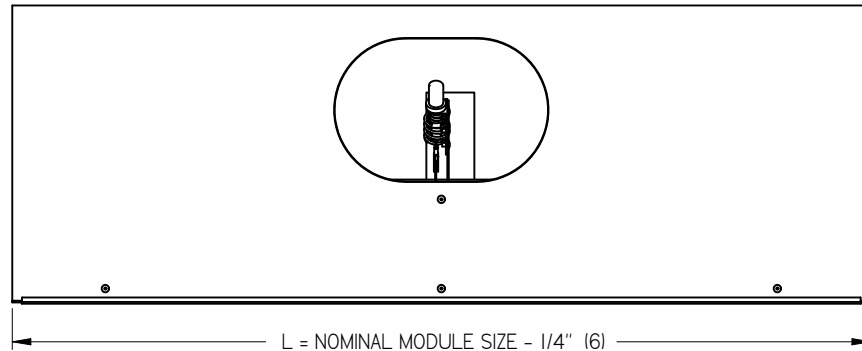


TBDI6-HC T-BAR DIFFUSER



NOM. LENGTH	L	INLET	ROUND EQUIV.
60	59-3/4	6 x 12-1/8	10"
48	47-3/4	6 x 12-1/8	10"
36	35-3/4	6 x 8-15/16	8"
30	29-3/4	6 x 8-15/16	8"
24	23-3/4	6 x 8-15/16	8"
1500mm	(1494)	(152 x 307)	(254)
1200mm	(1194)	(152 x 307)	(254)
900mm	(894)	(152 x 227)	(203)
750mm	(744)	(152 x 227)	(203)
600mm	(594)	(152 x 227)	(203)

NOTES

- AN INTERNAL ACTUATOR SENSES THE SUPPLY AIR TEMPERATURE AND ADJUSTS THE AIR PATTERN TO SUIT HEATING AND COOLING APPLICATIONS
- SUPPLY AIR TEMPERATURES LESS THAN 69°F (21°C) WILL HAVE A HORIZONTAL COOLING AIR PATTERN, AND SUPPLY AIR TEMPERATURES GREATER THAN 81°F (27°C) WILL HAVE A VERTICAL HEATING AIR PATTERN
- SEE INSTALLATION INSTRUCTION I100053
- FACTORY TOLERANCE ± 1/32"

MATERIAL:

- SHELL - COATED STEEL
- BLADE ASSY - EXTRUDED ALUMINUM



OPTIONS:

- FF: FIBER FREE FOAM INSULATION
- CF: COATED FIBERGLASS INSULATION
- AFI: EXTERNAL ALUMINUM FOIL BACKED INSULATION

FINISH:

- FACE
 - BFS: BLACK FACE SURFACES
 - MILL FINISH
- CENTRE TEE
 - B12 WHITE
 - B17 BLACK
 (OPTIONAL FINISHES AVAILABLE)
- BLADE - B17 BLACK

ALL METRIC DIMENSIONS () ARE SOFT CONVERTED. IMPERIAL DIMENSIONS ARE CONVERTED TO METRIC AND ROUNDED TO THE NEAREST MILLIMETER.

PROJECT:		
ENGINEER:		
CUSTOMER:		
SUBMITTAL DATE:		226394
SPEC. SYMBOL:		2014/05/06
		TBDI6-HC THERMAL POWERED HEATING/COOLING AUTO CHANGEOVER DIFFUSER